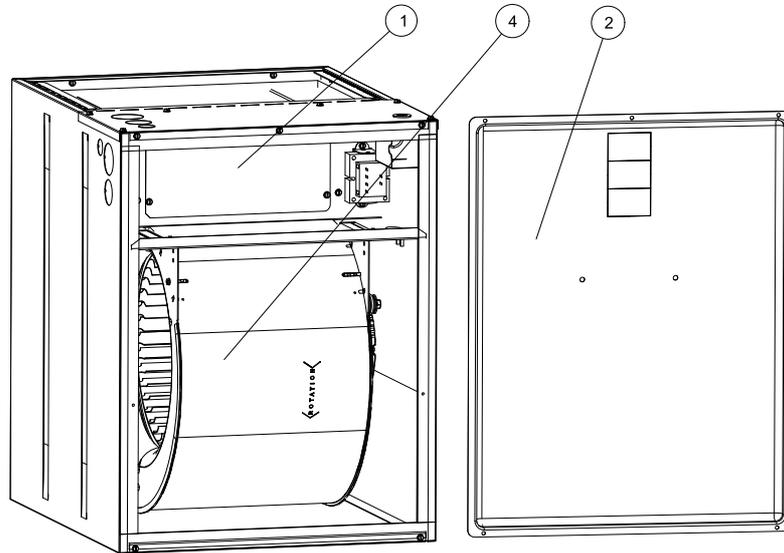


JMET SERIES 3-PHASE MODULAR BLOWERS W/ 460V STD ECM MOTORS

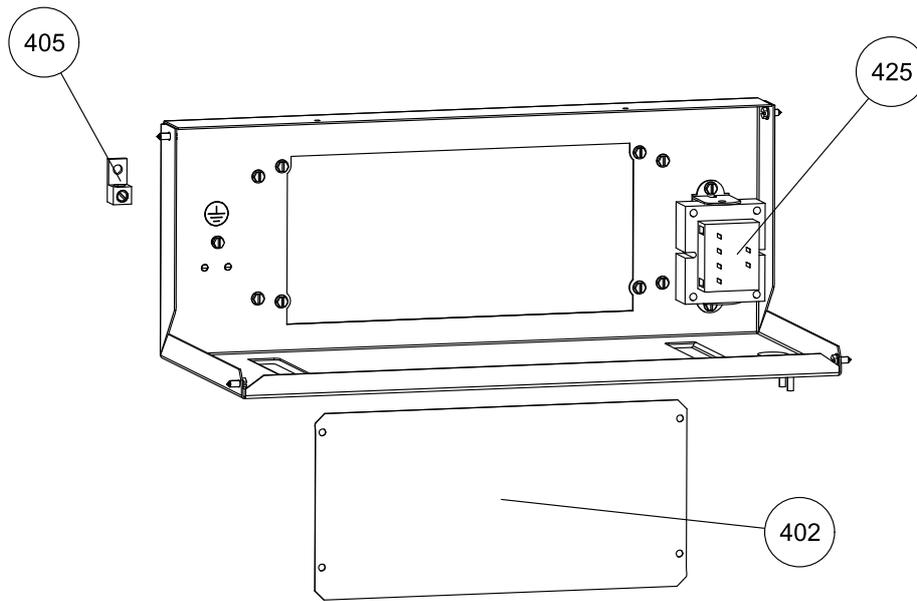
REPAIR PARTS LIST

PRINTED DATE: 4/9/2024

The information provided to you may include Johnson Controls' trade secrets, intellectual property, and confidential business information (including its Bill of Materials), and this information is to be kept in the strictest confidence and not to be disclosed to any third party without the prior written consent of Johnson Controls.



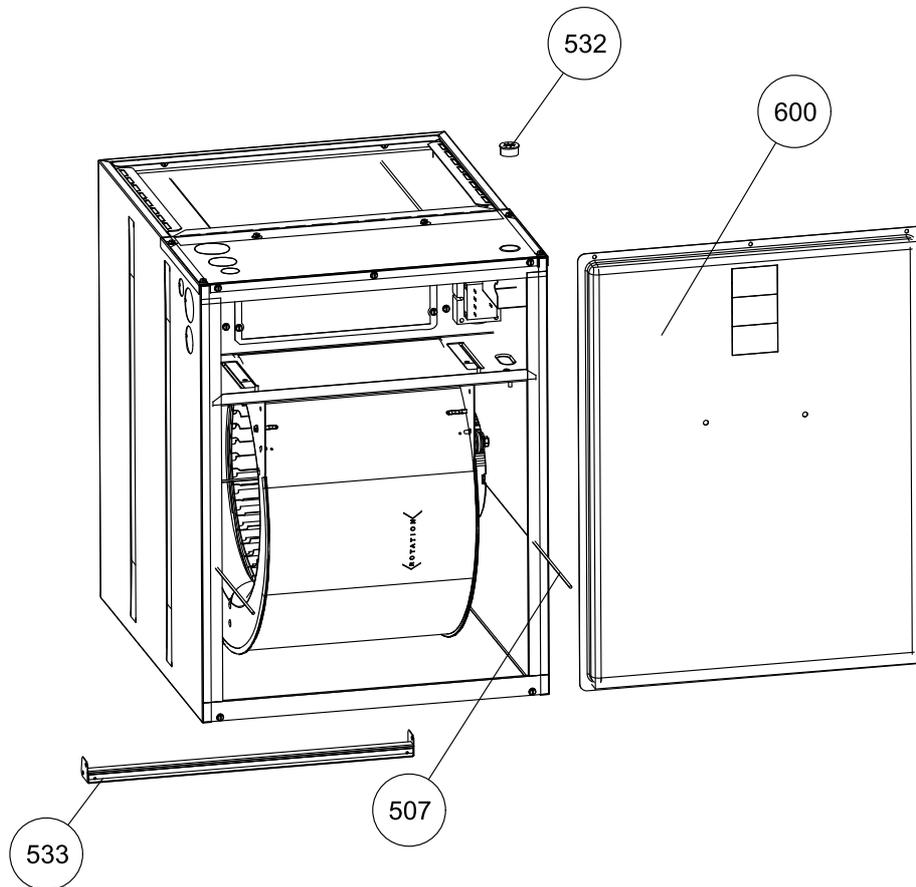
Section	Description
1	ELECTRICAL BOX / CONTROLS
2	SHEET METAL / CABINET PARTS
4	INDOOR BLOWER PARTS
9	WIRING DIAGRAMS / VFD PARAMETERS



Section : ELECTRICAL BOX / CONTROLS

Section	Callout	Replacement Part #	Description	Original Part #	JMET12B S4N1	JMET12C S4N1	JMET16C S4N1	JMET18D S4N1	
1	402	S1-07339412001	COVER,HEAT	S1-07339412001	1	1	1	1	
1	405	S1-02521798000	LUG,GROUND,ELECTRICAL ALUMINUM 1.06 X .5	S1-02521798000	1	1	1	1	
1	425	S1-02108968000	NUT,HEX,SELF LOCKING,1/4-20	S1-02108968000	1	1	1	1	
1	425	S1-02519242700	TRNSF,460V,24V/40VA,50/60HZ	S1-02519242700	1	1	1	1	

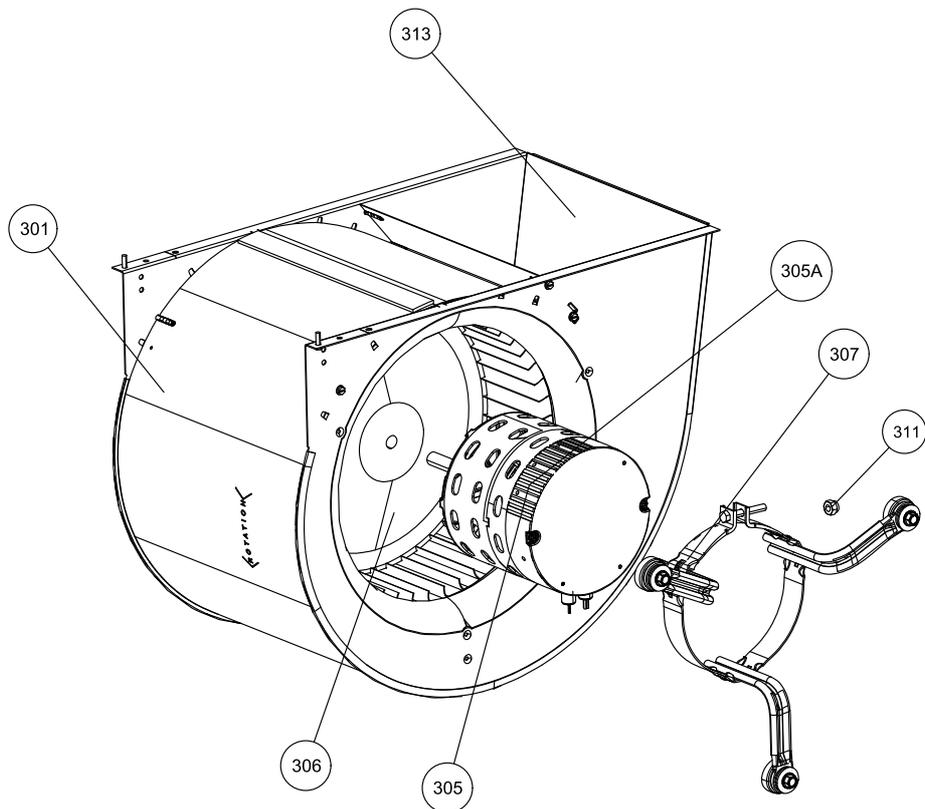
Suggested stocking items are shown with shaded item number.



Section : SHEET METAL / CABINET PARTS

Section	Callout	Replacement Part #	Description	Original Part #	JMET12B S4N1	JMET12C S4N1	JMET16C S4N1	JMET18D S4N1	
2	NS	S1-02813360000	STRIP,NEOPRENE	S1-02813360000	1	1	1	1	
2	507	S1-02925441000	INSULATION RETAINER,B-CABINET	S1-02925441000	1				
2	507	S1-02925442000	INSULATION RETAINER,C-CABINET	S1-02925442000		1	1		
2	507	S1-02925443000	INSULATION RETAINER,D-CABINET	S1-02925443000				1	
2	516	S1-37348867001	PNL,ASSEM,TOP,W/INSUL,17.5,CHAMP	S1-37348867001	1				
2	516	S1-37348868001	PNL,ASSEM,TOP,W/INSUL,21.0,CHAMP	S1-37348868001		1	1		
2	516	S1-37348869001	PNL,ASSEM,TOP,W/INSUL,24.5,CHAMP	S1-37348869001				1	
2	533	S1-37348963001	BRACE,LOWER,W/INSUL,MB 17.5	S1-37348963001	1				
2	533	S1-37348964001	BRACE,LOWER,W/INSUL,MB 21.0	S1-37348964001		1	1		
2	533	S1-37348965001	BRACE,LOWER,W/INSUL,MB 24.5	S1-37348965001				1	
2	600	S1-37348888001	PNL,ASSEM,UPPER ACCESS,17.5,CHAMP	S1-37348888001	1				
2	600	S1-37348890001	PNL,ASSEM,UPPER ACCESS,21.0,CHAMP	S1-37348890001		1	1		
2	600	S1-37348892001	PNL,ASSEM,UPPER ACCESS,24.5,CHAMP	S1-37348892001				1	

Suggested stocking items are shown with shaded item number.


Section : INDOOR BLOWER PARTS

Section	Callout	Replacement Part #	Description	Original Part #	JMET12B S4N1	JMET12C S4N1	JMET16C S4N1	JMET18D S4N1	
4	NS	S1-02552099000	HARNESS,JHET/JMET,ECM STD	S1-02552099000	1	1	1	1	
4	301	S1-37348827001	HOUSING,BLOWER,11-8,AHU/MOD	S1-37348827001	1				
4	301	S1-37348828001	HOUSING,BLOWER,11-10,AHU/MOD	S1-37348828001		1	1		
4	301	S1-37348829001	HOUSING,BLOWER,11-11,AHU/MOD	S1-37348829001				1	
4	305	S1-32442192001	MTR,BLW,PRGRM,1/2,460V,ECM,BROAD OCEAN	S1-32442192001	1				
4	305	S1-32442192002	MTR,BLW,PRGRM,1/2,460V,ECM,BROAD OCEAN	S1-32442192002		1			
4	305	S1-32442193001	MTR,BLW,PRGRM,1.0,460V,ECM,BROAD OCEAN	S1-32442193001			1		
4	305	S1-32442193002	MTR,BLW,PRGRM,1.0,460V,ECM,BROAD OCEAN	S1-32442193002				1	
4	305A	S1-02442192000	MTR,BLW,UNPRGRM,1/2,460V,ECM,BROAD OCEAN	S1-02442192000	1	1			
4	305A	S1-02442193000	MTR,BLW,UNPRGRM,1.0,460V,ECM,BROAD OCEAN	S1-02442193000			1	1	
4	306	S1-02619654012	WHL,BLW,11 X 10,CW,1/2 BORE	S1-02634501000		1	1		
4	306	S1-02638510000	WHL,BLW 11X11,CW,1/2" BORE	S1-02638510000				1	
4	306	S1-02650615000	WHL,BLW,11-8	S1-02650615000	1				
4	307	S1-32650612001	MOUNT,ASSEMBLY,BLWR MOTOR	S1-32650612001	1	1	1	1	

Suggested stocking items are shown with shaded item number.

Section : WIRING DIAGRAMS / VFD PARAMETERS

Section	Callout	Replacement Part #	Description	Original Part #	JMET12B S4N1	JMET12C S4N1	JMET16C S4N1	JMET18D S4N1	
9	NS	6139722	WIRING DIAGRAM - 5.5 X 8.5 JMETSTDECM460	6139722	1	1	1	1	

Suggested stocking items are shown with shaded item number.

Model series repair parts lists are generated for each model number from the last production bill of material.

Major components and suggested stocking items are shown with shaded item number.

Repair parts lists are subject to change without notice.

TO ORDER AUTHORIZED FACTORY REPLACEMENT PARTS - Contact your Source1 HVAC Parts Distributor or visit our website at www.Source1Parts.com for a Distributor and Dealer listing.

Copyright © 2024 by Johnson Controls Inc. All rights reserved.

Johnson Controls Unitary Products